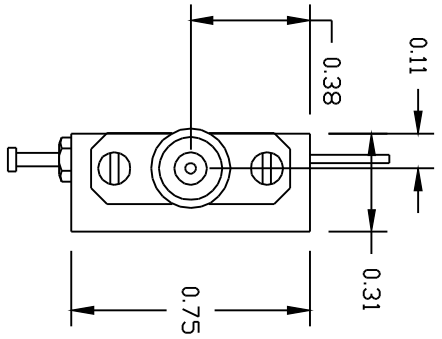
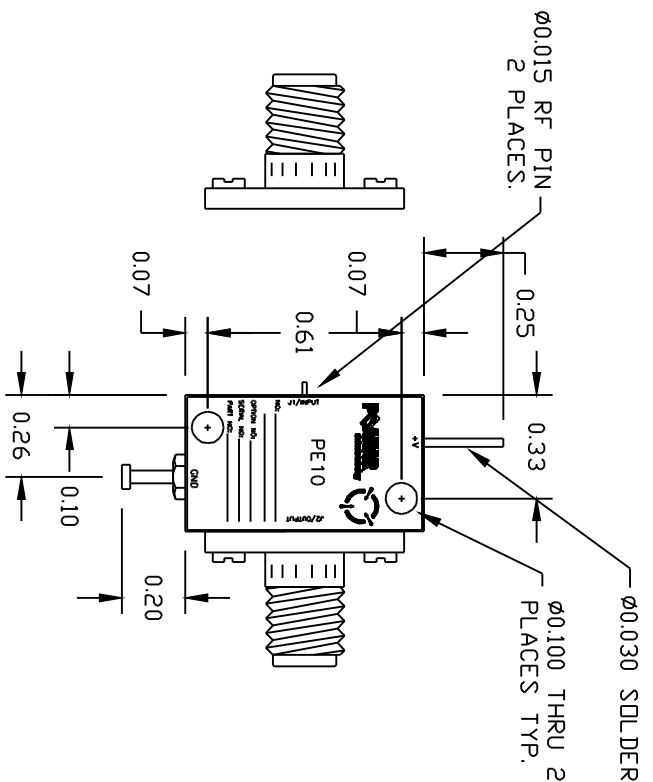
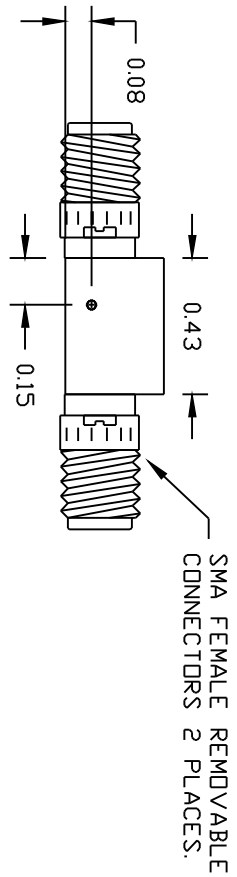


REVISIONS		DATE	APPROVED
ZONE	REV.	DESCRIPTION	
-	-	ORIGINAL RELEASE	9/22/99



- NOTES:
- 1) DIMENSIONS ARE IN INCHES
 - 2) TOLERANCES: X.XX ±0.020
X.XXX ±0.010

CONTRACT NO.		DATE		TITLE	
APPROVALS		9/22/99		Mechanical Drawing	
DRAWN K SIMMS				PE10 / PM10	
CHECKED					
ISSUED					
SCALE	SIZE	FSCM NO.	DWG NO.	SHEET	REV.
N/S	A	OZXZ8	100-5082-3	1 of 1	-

PMI
2311-G GROVE ROAD
FREDERICK, MARYLAND