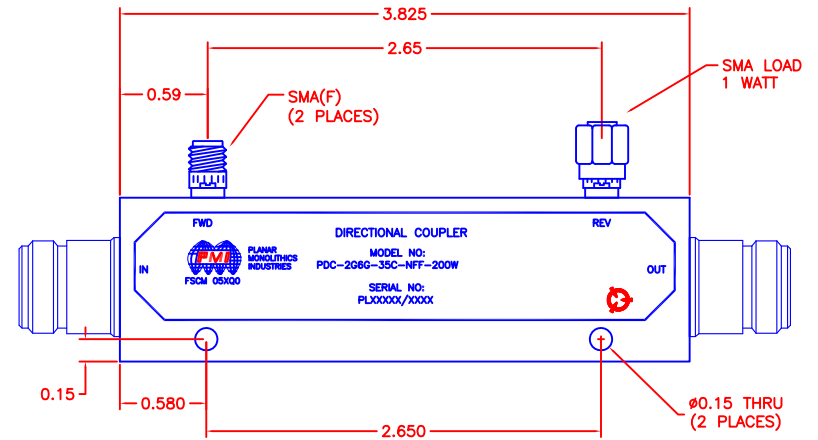
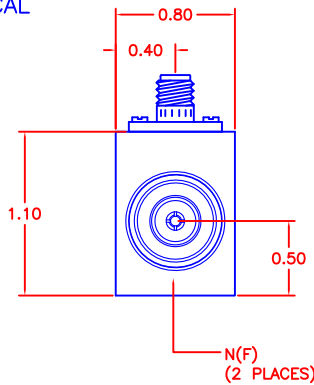


## DESCRIPTION

PMI MODEL PDC-2G6G-35C-NFF-200W IS A 2.0 GHZ TO 6.0 GHZ DIRECTIONAL COUPLER HAVING A 35DB COUPLING FACTOR AND > 15DB DIRECTIVITY. THIS MODEL HANDLES AN INPUT POWER OF 200 WATTS CW.

## SPECIFICATIONS

- FREQUENCY RANGE: ..... 2.0 GHz TO 6.0 GHz
- INSERTION LOSS: ..... 0.25 dB MAXIMUM
- VSWR: ..... 1.40:1 MAXIMUM
- DIRECTIVITY: ..... 15 dB MINIMUM, 22 dB TYPICAL
- COUPLING: ..... 35 dB  $\pm$ 1 dB
- COUPLING FLATNESS: .....  $\pm$ 1.0 dB MAXIMUM
- POWER HANDLING: ..... 200 WATTS MAXIMUM
- IMPEDANCE: ..... 50 $\Omega$
- CONNECTORS: ..... N(F) – RF INPUT & OUTPUT  
..... SMA(F) – FWD & REV
- FINISH: ..... PAINTED BLUE



## ENVIRONMENTAL RATINGS:

- TEMPERATURE: ..... -25°C TO +85°C (OPERATING)  
..... -55°C TO +150°C (STORAGE)

NOTE: SPECIFICATIONS WILL VARY OVER OPERATING TEMPERATURE  
NOTE: THE ABOVE SPECIFICATIONS ARE SUBJECT TO CHANGE OR REVISION

ALL DIMENSIONS ARE IN INCHES  
TOLERANCES:  
X.XX  $\pm$ 0.020  
X.XXX  $\pm$ 0.010

REVISIONS				
ZONE	REV.	DESCRIPTION	DATE	APPROVED
	-	PRELIMINARY	4/23/15	K.M.

PMI CONFIDENTIAL AND PROPRIETARY

## PLANAR MONOLITHICS INDUSTRIES, INC.

7311-F GROVE ROAD  
FREDERICK, MARYLAND 21704 USA  
TEL: 301-662-5019 FAX: 301-662-1731  
WEBSITE: [www.pmi-rf.com](http://www.pmi-rf.com)  
E-MAIL: [sales@pmi-rf.com](mailto:sales@pmi-rf.com)  
ISO 9001 CERTIFIED



APPROVALS		DATE	TITLE			REV.
DRAWN	K. MASON	4/23/15	PRODUCT FEATURE			
CHECKED			PDC-2G6G-35C-NFF-200W			
ISSUED			2.0 TO 6.0 GHz DIRECTIONAL COUPLER			
SIZE	FSCM NO.	DWG NO.	PRELIMINARY		-	
A	05XQ0					
SCALE N:S				SHEET 1 OF 1		