



Planar Monolithics Industries, Inc.

RF & Microwave Components and Modules to 40GHz

ISO9001:2008 Certified

May 21, 2014

20.2 to 21.2GHz Monopulse Circuit featuring Phase Matched LNA's

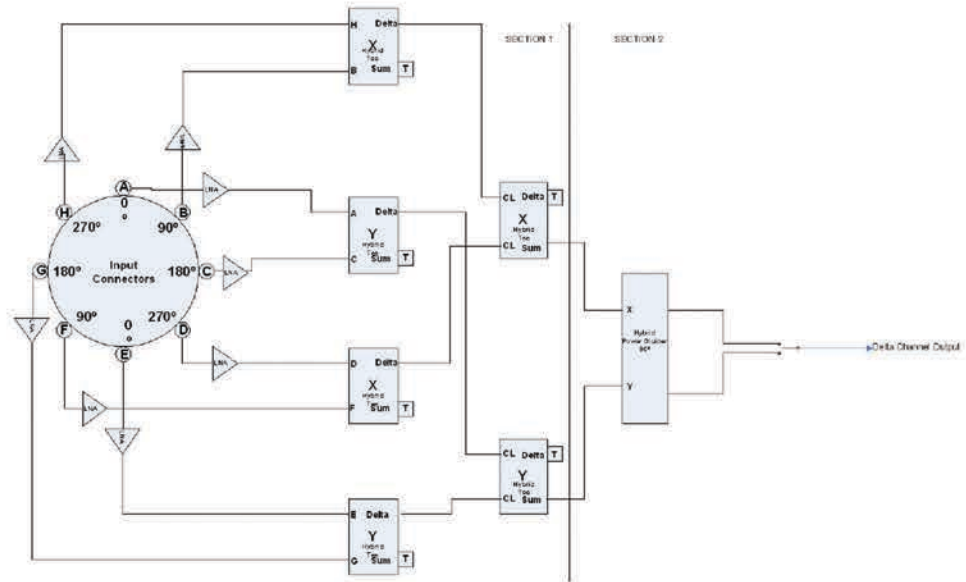
PMI Model No. MPC-20R2G21R2G-CD-LNF

PMI Model No. MPC-20R2G21R2G-CD-LNF is a Monopulse Circuit designed for beamforming applications. This unit works over the 20.2 to 21.2GHz frequency range. Low noise amplifiers are integrated directly onto all eight inputs and an output switch allows the selection of a 0 or 90 degree output.



Section 1	Section 2
8 Antenna Inputs Phase Matched LNA's Hybrid Tee Ringline Couplers Phase Matched Outputs	Hybrid 90 degree Power Divider Branchline Coupler SPDT Absorptive Solid State Switch

Functional Block Diagram



PLANAR MONOLITHICS INDUSTRIES, INC.

7311-F Grove Road, Frederick,
Maryland 21704 USA |

Tel: 301-662-5019 | Fax: 301-662-1731

4921 Roberts J. Mathews Parkway
Suite 1 El Dorado Hills, CA 95762 USA

Tel: 916-542-1401 | Fax: 916-265-2597

Email: sales@pmi-rf.com | www.pmi-rf.com

ISO9001:2008 Certified