



Planar Monolithics Industries, Inc.

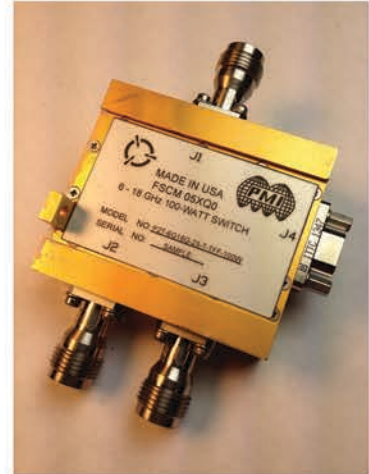
RF & Microwave Components and Modules to 40GHz

ISO9001:2008 Certified

May 21, 2014

6.0 to 18.0GHz 100W CW SPDT Absorptive Solid-State Switch PMI Model No. P2T-6G18G-25-T-TFF-100W

PMI Model No. P2T-6G18G-25-T-TFF-100W is a single pole, two throw, absorptive switch designed to operate over the 6.0 to 18.0GHz frequency range. This model is designed to handle 100 watts average input power with the absorptive section rated to handle 10 watts CW. The switch offers fast switching speeds of 1usec maximum, low insertion loss of 2.0dB typically and high isolation of 25dB minimum. These units offer phase tracking of less than $\pm 5^\circ$. The DC supplies are +28VDC and ± 5 VDC. The housing measures 1.79" x 0.60" x 2.03" and is supplied with TNC Female connectors.



Frequency	6.0 to 18.0GHz
Insertion Loss	2.0dB Typical, 2.6dB Max.
Isolation	25dB Min.
Phase Tracking	± 5 Degrees.
Switching Speed	1us Max.
Power Handling	100 Watts CW Min. (Absorptive Section will handle 10 Watts CW Max.)
Mounting Temperature	50 Degrees C, Mounting Surface to be Gold Plated
VSWR	2.0:1 Max.
Control	2 Bit TTL 0 = Isolation 1 = Low Loss
Bias	+28VDC & ± 5 VDC
RF Connectors	TNC Female
Power & Control Connector	9 Pin Micro-D Female, Mating with M83513/03A/03C
Size	1.78" x 0.60" x 2.03"
Finish	Gold Plated
Switching Type:	Cold Switching

Temperature:	-55°C to +85 °C Operating -65°C to +125 °C Non-Operating
Humidity	MIL-STD-202F, Method 103B, Cond B
Shock	MIL-STD-202F, Method 213B, Cond B
Vibration	MIL-STD-202F, Method 204D, Cond B
Altitude	MIL-STD-202F, Method 105C, Cond B
Temperature Cycle	MIL-STD-202F, Method 107D, Cond A

PLANAR MONOLITHICS INDUSTRIES, INC.

7311-F Grove Road, Frederick,
Maryland 21704 USA |

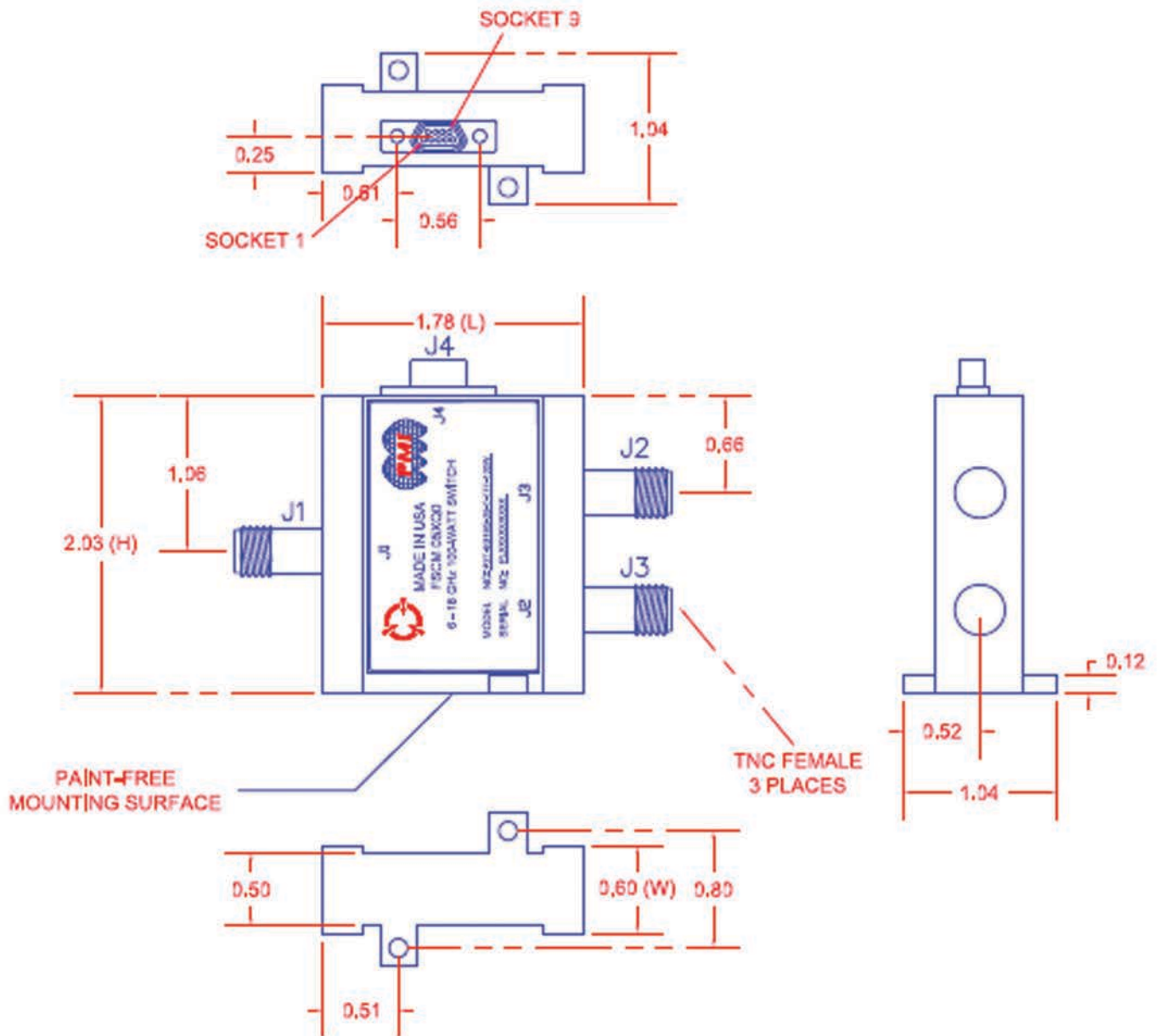
Tel: 301-662-5019 | Fax: 301-662-1731

4921 Roberts J. Mathews Parkway
Suite 1 El Dorado Hills, CA 95762 USA

Tel: 916-542-1401 | Fax: 916-265-2597

Email: sales@pmi-rf.com | www.pmi-rf.com

ISO9001:2008 Certified



PLANAR MONOLITHICS INDUSTRIES, INC.

7311-F Grove Road, Frederick,
Maryland 21704 USA |

Tel: 301-662-5019 | Fax: 301-662-1731

4921 Roberts J. Mathews Parkway
Suite 1 El Dorado Hills, CA 95762 USA

Tel: 916-542-1401 | Fax: 916-265-2597

Email: sales@pmi-rf.com | www.pmi-rf.com

ISO9001:2008 Certified