



Planar Monolithics Industries, Inc.

RF & Microwave Components and Modules to 40GHz

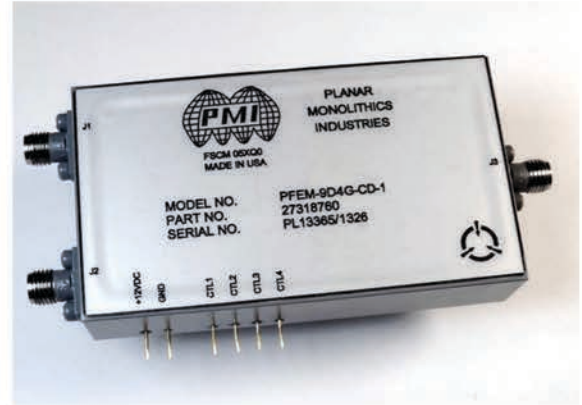
ISO9001:2008 Certified

May 21, 2014

9380 to 9440MHz Integrated Module featuring Amplification, Switching & Filtering

PMI Model No. PFEM-9D4G-CD-1

PMI Model No. PFEM-9D4G-CD-1 is a multi-function module that provides amplification, switching and filtering within the frequency band of 9410MHz. This module provides two input channels and is switchable to a common output. This model is designed to offer multiple gain level selection, high channel to channel isolation and fast switching speeds.



	TX (State 1)	RX Low Gain (State 2)	RX High Gain (State 3)
Max Input Power at J1	0dBm	14dBm	14dBm
Frequency	9410MHz +/- 30MHz	9410MHz +/- 30MHz	9410MHz +/- 30MHz
Gain	0 to -5dBm	11 to 15dBm	30 to 35dBm
Gain Flatness	<0.1dBm	<0.1dBm	<0.1dBm
Noise Figure	N/A	2dB Nominal, 2.5dB Max	2dB Nominal, 2.5dB Max
VSWR	1.5:1 typ	1.5:1 typ	1.5:1 typ
OP3 (Output)	> 18dBm	>18dBm	>18dBm
OP2 (Output)	>8dBm	>8dBm	>8dBm
Port to Port J1-J3 Isolation	>85dB	N/A	N/A
Max Output Power	+ 23dBm		
Output Signal Distortion	No apparent droop or distortion with a pulse width of 500 to 1000nsec, at 500 to 2000 PPS		
Video Switching Transients	< -120dBm above 1.7GHz		
Stability	Unconditionally stable when terminated at J1, J2 and J3 with short circuit at all phases		
Max Out-Of-Band Gain	Below In-Band Gain for f > 6.5GHz -20 dB Below In-Band Gain < 6.5GHz		
Switching Time	50ns: TX to RX 50ns: RX Low Gain to RX High Gain		
Switching Control	3.3V to 5V, TTL Compatible		
BIAS V/I	+12VDC/ 125mA typ		
Size	2.89" x 1.62" x 0.63		
Finish	Painted Gray		

PLANAR MONOLITHICS INDUSTRIES, INC.

7311-F Grove Road, Frederick,
Maryland 21704 USA |

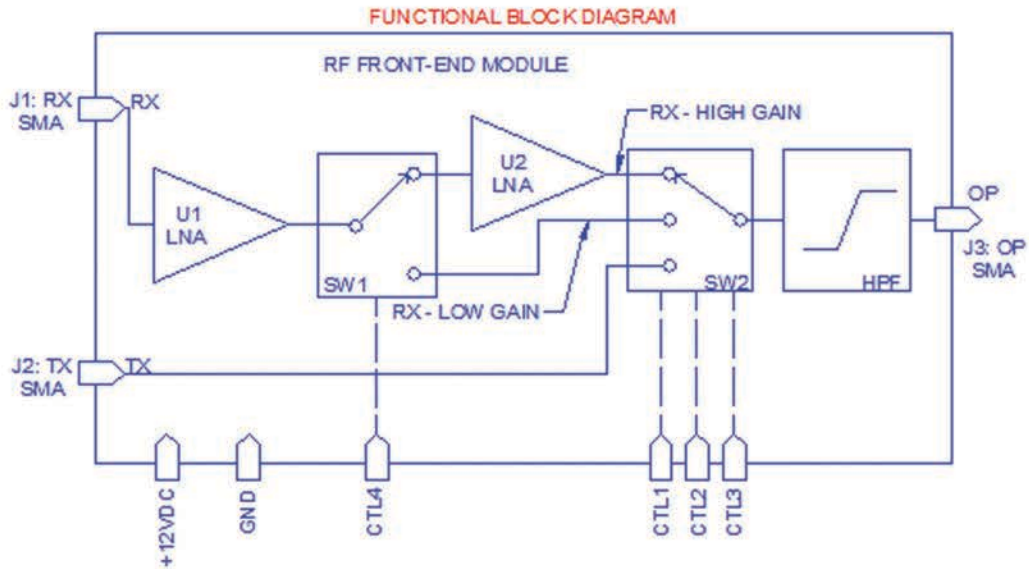
Tel: 301-662-5019 | Fax: 301-662-1731

4921 Roberts J. Mathews Parkway
Suite 1 El Dorado Hills, CA 95762 USA

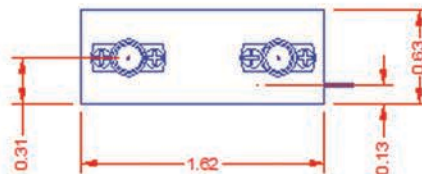
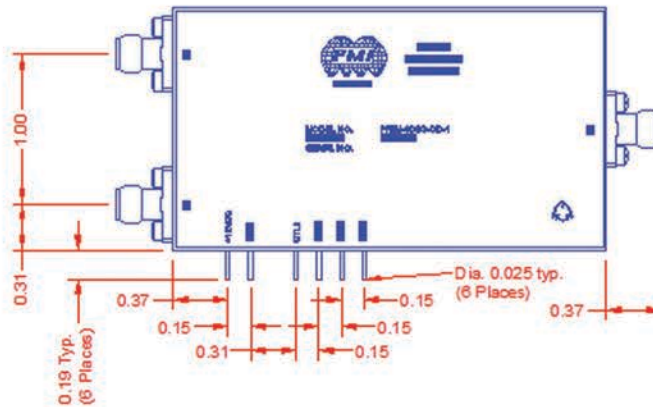
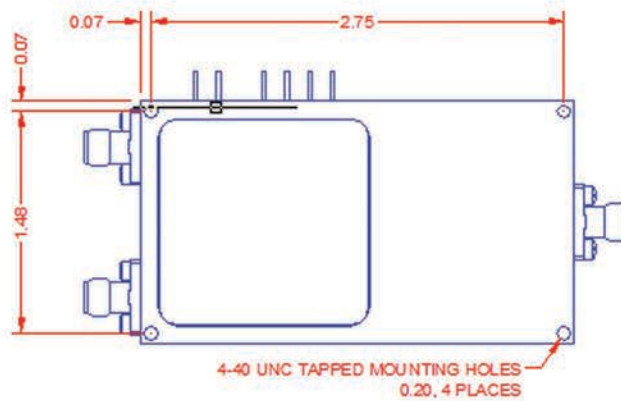
Tel: 916-542-1401 | Fax: 916-265-2597

Email: sales@pmi-rf.com | www.pmi-rf.com

ISO9001:2008 Certified



LOGIC TABLE				
CTL1	CTL2	CTL3	CTL4	STATE
1	1	0	1	STATE 1 - J2 --> J3
1	0	1	0	STATE 2 - J1 --> J3, LOW GAIN
0	1	1	1	STATE 3 - J1 --> J3, HIGH GAIN



PLANAR MONOLITHICS INDUSTRIES, INC.

7311-F Grove Road, Frederick,
Maryland 21704 USA |
Tel: 301-662-5019 | Fax: 301-662-1731

4921 Roberts J. Mathews Parkway
Suite 1 El Dorado Hills, CA 95762 USA
Tel: 916-542-1401 | Fax: 916-265-2597

Email: sales@pmi-rf.com | www.pmi-rf.com

ISO9001:2008 Certified